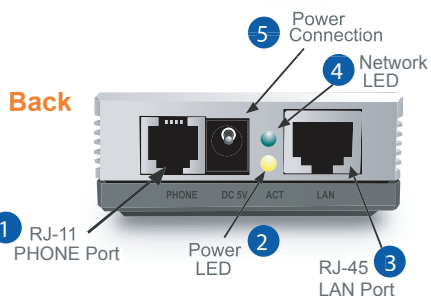


Installation Guide: Sipura/Linksys 1001 ATA

SIPURA 1001



Front



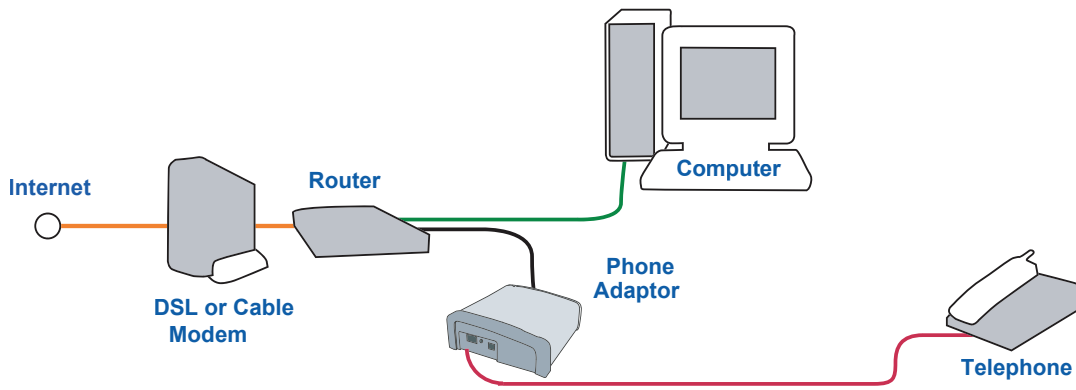
Back

Basic Installation Instructions

for connecting the ATA to the Internet via a router connected to a Cable or DSL modem

Your Start-up Kit should include:

- One page overview
- Sipura Quick Reference Guide
- Analog Telephone Adaptor
- 5-volt Power Adaptor
- Power Cord
- Ethernet Cable



- A** Connect one end of the included black Ethernet cable into an available Ethernet port on your router or hub. Connect the other end of this cable into the LAN port of the ATA (number 3).
- B** Connect one end of a phone cord (not included) into the PHONE port of the ATA (number 1). Connect the other end of this phone cord into the "Line" port on your telephone or fax machine.
- C** Slide the power supply prongs into the power supply body until it snaps firmly into place. Connect the small round part of the cable into the Power Connection of the ATA (number 5). Plug the Power Supply into a wall outlet. Wait approximately 20 seconds for the Network LED (number 4) to stop flashing. Once it stops flashing, pick up the telephone. The Network LED (number 4) should light up when the phone is taken off hook, and you should have dial tone.
- D** Place a test call by dialing any phone number. Your Network LED (number 4) should be lit. If you are able to complete your call, you have successfully installed your ATA device and service. If you get any other result, please visit our website for additional support information.

contact@omni-talk.com